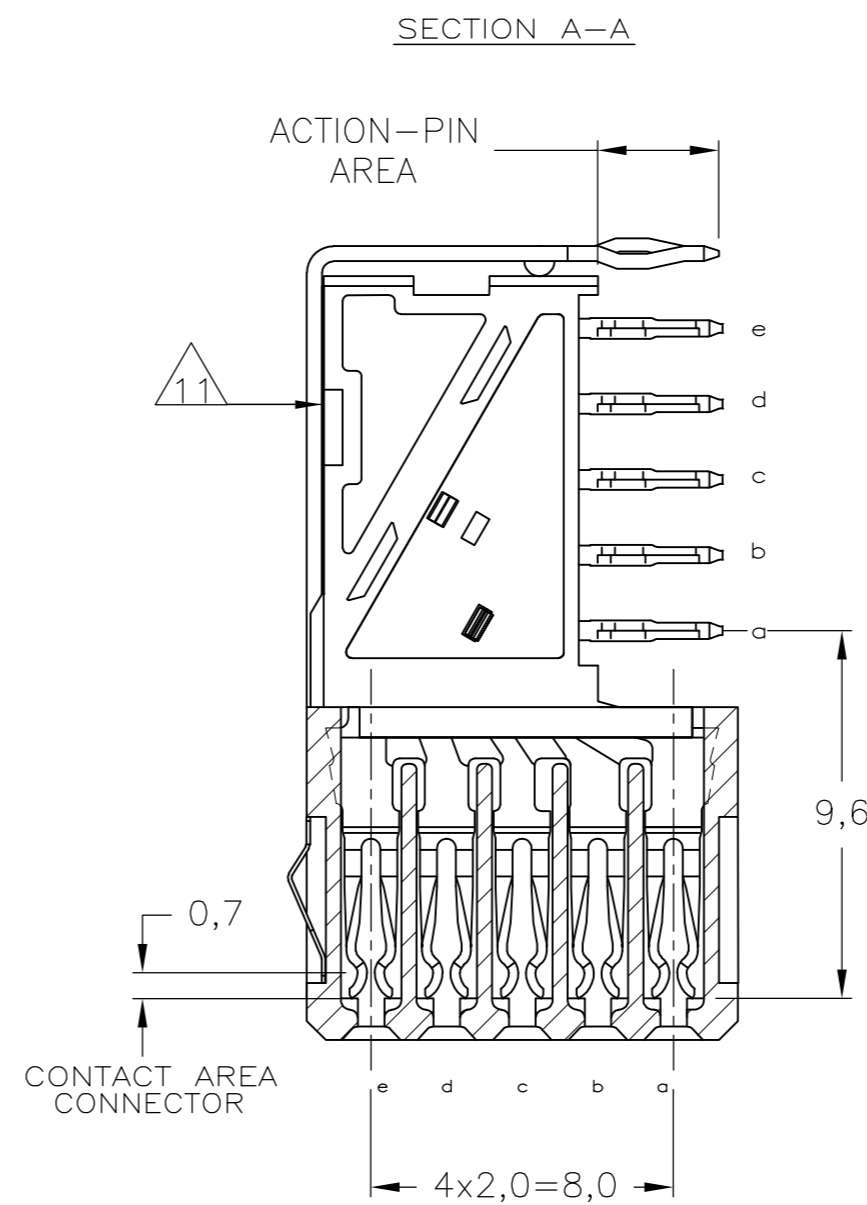
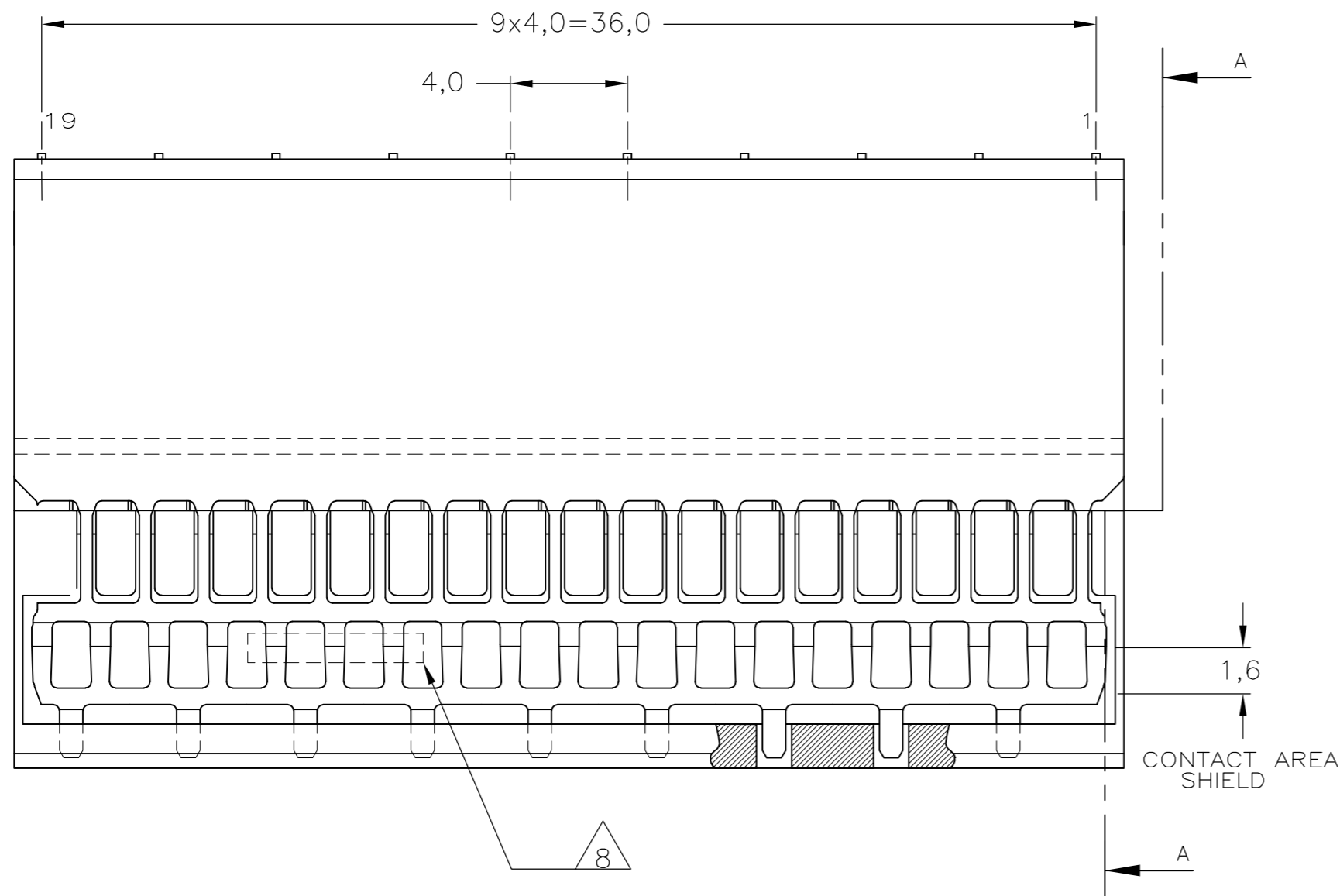


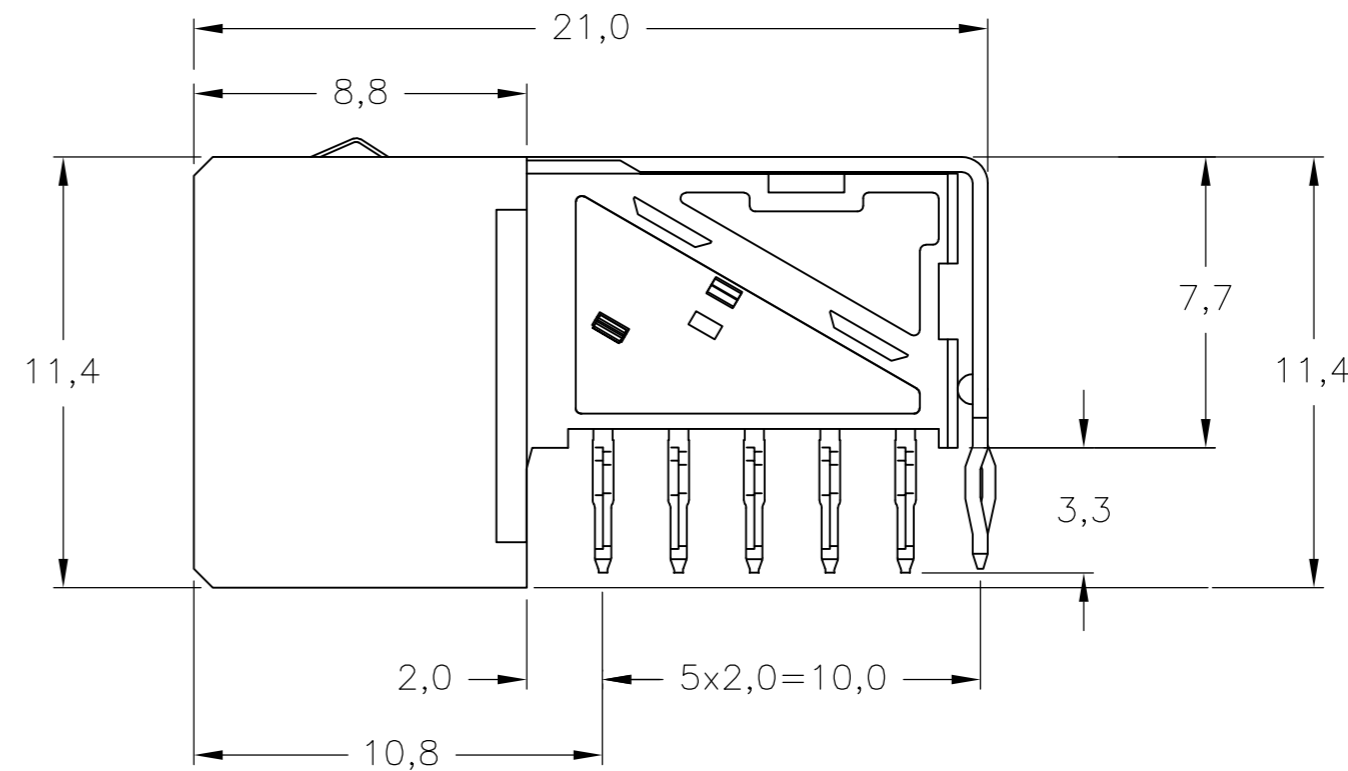
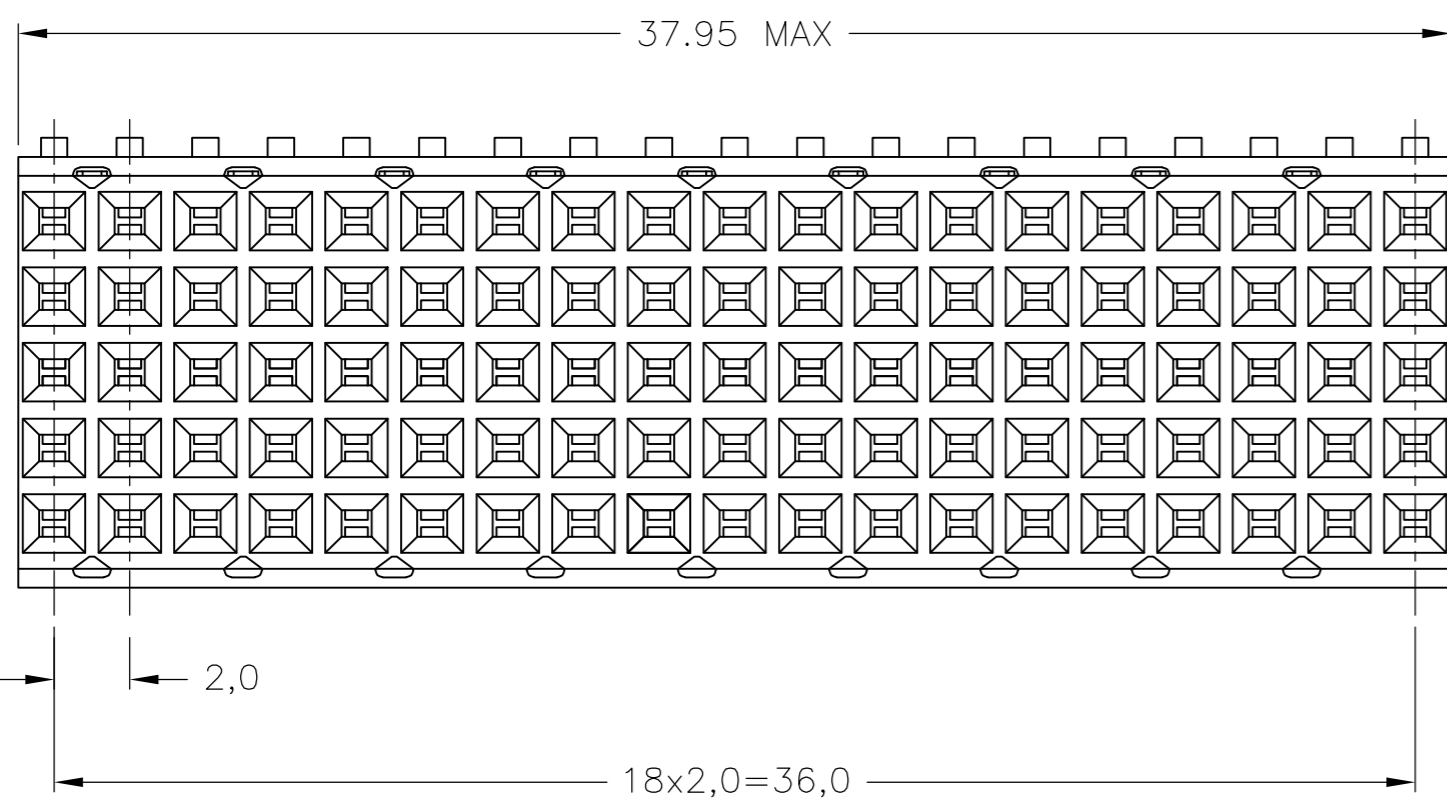
THIS DRAWING IS UNPUBLISHED. RELEASED FOR PUBLICATION
 © COPYRIGHT - By - ALL RIGHTS RESERVED.

LOC		DIST		REVISIONS			
P	LTR	DESCRIPTION	DATE	DWN	APVD		
H	-	E	REVISED PER ECO-13-014710	08NOV2013	SY	FY	

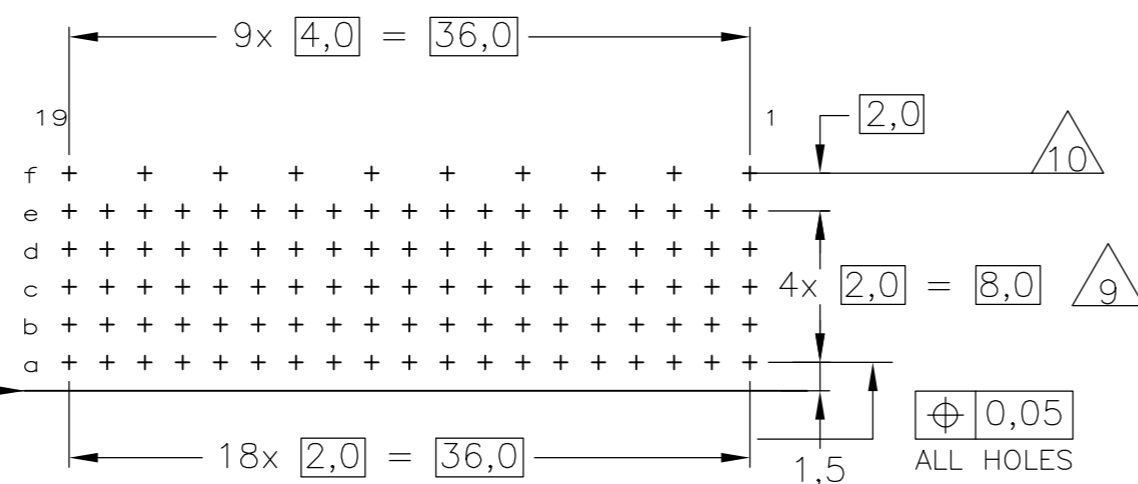


NOTES:

- △ MATERIAL CONTACTS; PHOSPHORBRONZE
- △ MATERIAL HOUSING; GLASSFILLED POLYESTER (GRAY)
- △ GENERAL PLATING SPECIFICATION: UNDERPLATING (ENTIRE CONTACT): 1,27µm NICKEL MIN. AND ACTION PIN: 0,5µm TIN MIN. FOR PLATING OF MATING SURFACES SEE APPLICABLE SPECIFICATION REFERENCE FOR EACH DASH NUMBER.
- △ CONFORMS TO ALL TESTING ACCORDING IEC 61076-4-101 PERFORMANCE LEVEL 2.
- △ CONFORMS TO ALL TESTING ACCORDING IEC 61076-4-101 PERFORMANCE LEVEL 1.
- △ CONNECTOR TESTED AND QUALIFIED AGAINST TELCORDIA GR-1217-CORE QUALITY LEVEL III, CENTRAL OFFICE APPLICATIONS.
- △ CONNECTOR LUBRICATED WITH TELCORDIA GR-1217-CORE APPROVED LUBRICANT.
- △ ASSEMBLY PRINTED WITH P/N AND DATECODE
- △ THE MARKING CAN APPEAR ON THE FRONT SIDE OR BACK SIDE.
- △ HOLE PATTERN FOR FEMALE CONNECTOR TYPE B-19 COLUMNS
- △ 95 PLATED-THROUGH HOLES AT 2x2mm SQUARE GRID
- △ ROW "f" 10 PLATED THROUGH HOLES FOR UPERSHIELD
- △ SHIELD MOUNTED ON CONNECTOR WITH DOUBLE SIDED ADHESIVE TAPE OR ADHESIVE
- 12 BASIC P.N. LOWERSHIELD : 5352029.
- △ 0.76µm MIN GOLD PLATING AT MATING SURFACE



COMPONENT SIDE AS SHOWN
 RECOMMENDED PCB-HOLE LAY-OUT
 SCALE 2,5:1



P.C.B. HOLE DIM. ACTION PIN
 FOR DETAILS SEE
 APPLICATION SPECIFICATION

EDGE OF P.C.BOARD

△ 2 △ 3 △ 4	△ 1	3-5352171-0
△ 2 △ 5 △ 6	△ 1	5352171-9
△ 2 △ 4	△ 1	5352171-4
△ 2 △ 3	△ 1	5352171-1
FINISH	MATERIAL	PARTNUMBER

THIS DRAWING IS A CONTROLLED DOCUMENT.		DWN K.N.KIRAN 21AUG2004	TE Connectivity	
DIMENSIONS: mm		CHK B.MOOIJ 27OCT2004	NAME	
TOLERANCES UNLESS OTHERWISE SPECIFIED: ±0.2		APVD B.MOOIJ 27OCT2004	Z-PACK 2mm HM TYPE B - 19 COLUMNS PRE-SHIELDED RECEPTACLE	
MATERIAL		PRODUCT SPEC 108-19082	SIZE A2	RESTRICTED TO
		APPLICATION SPEC 114-19029	CAGE CODE 00779	DRAWING NO C=5352171
		WEIGHT	SCALE 5:1	SHEET 1 of 1
		CUSTOMER DRAWING	REV E	